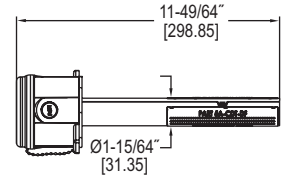
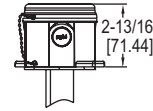
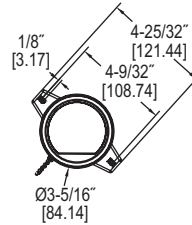




Series CDT and CDTR Duct Mount Carbon Dioxide/ Temperature/Relative Humidity Transmitter

Specifications - Installation and Operating Instructions



Series CDT and CDTR Duct Mount Carbon Dioxide/ Temperature/Relative Humidity Transmitters accurately monitor the CO₂ concentration and temperature in schools, office buildings, and other indoor environments to help achieve LEED® certification. For increased sensor life, a single-beam dual-wavelength non-dispersive infrared (NDIR) sensor is used to automatically correct the measurement in both occupied and unoccupied buildings against aging effects. The single-beam dual-wavelength sensor technology provides the highest level of accuracy, compared to Automatic Baseline Correction methods, which can unintentionally shift the calibration based on CO₂ levels and barometric pressure conditions. In order to achieve a higher level of accuracy, the Series CDT includes digital barometric pressure adjustment.

Universal outputs allow users to select the transmitter output to be 4-20 mA, 0-5 VDC or 0-10 VDC to work with virtually any building management controller. An optional relay with user adjustable set points can be used to control exhaust fans, open actuated windows or dampers, or signal a light or horn.

For applications that require visual indication, the Series CDT and CDTR can be ordered with the Model A-449 remote LCD display that can plug into the mini-connector port on the internal circuit board. Both the CDT and CDTR can be configured to display temperature only, CO₂ only or CO₂ and temperature together. The CDTR can also display relative humidity or CO₂ and relative humidity together. Menu items that can be accessed include: engineering units, relay output set points, display configuration, transmitter output scaling, and ambient barometric pressure.

Single-beam dual-wavelength sensor advantages:

- Automatically corrects for aging effects in occupied and unoccupied buildings
 - Perfect for hospitals and manufacturing plants that are occupied 24 hours per day
- Measures actual unfiltered light intensity directly
 - Eliminates error from incorrect assumptions of gas concentration in theoretical logic assumption methods

SPECIFICATIONS

Range: CO₂: 0 to 2000 or 0 to 5000 PPM (depending on model); RH: 0 to 100% (for units configured with humidity output); Temperature: 32 to 122°F (0 to 50°C).
Accuracy: ±40 PPM + 3% of reading (CO₂); RH: ±2% (for units configured with humidity output); Temperature: ± 1°C @ 25°C.
Temperature Dependence: ±8 PPM / °C at 1100 PPM.
Non-Linearity: 16 PPM.
Pressure Dependence: 0.13% of reading per mm of Hg.
Response Time: 2 minutes for 99% step change.
Temperature Limits: 32 to 122°F (0 to 50°C).
Humidity Limits: 10 to 95% RH (non-condensing).
Power Requirements: 16-35 VDC / 19-28 VAC.
Power Consumption: Average: 2 watts; Peak: 3.75 watts.
Sensor: Single-beam, dual-wavelength NDIR.
Output: Current: 4-20 mA (max 500 Ω); Voltage: 0-5 VDC or 0-10 VDC (min 500 Ω); Relay: SPST NO 2A @ 30 VDC; RTD or thermistor per r-t curves (depending on model).
Weight: 5.6 oz (158.8 g).
Agency Approvals: CE.

INSTALLATION

WARNING Disconnect power supply before installation to prevent electrical shock and equipment damage.

Make sure all connections are in accordance with the job wiring diagram and in accordance with national and local electrical codes. Use copper conductors only.

CAUTION Use electrostatic discharge precautions (e.g., use of wrist straps) during installation and wiring to prevent equipment damage.

CAUTION Avoid locations where severe shock or vibration, excessive moisture or corrosive fumes are present.

CAUTION Do not exceed ratings of this device, permanent damage not covered by warranty may result.

NOTICE Upon powering the transmitter, the firmware version will flash on the display. A warm up period of 30 minutes is required for the transmitter to adjust to the current CO₂ concentration.

NOTICE Self calibration feature of the transmitter requires exposure to normal outdoor equivalent carbon dioxide level once every thirty days.

MOUNTING

1. Cut hole into duct large enough to insert probe.
2. Attach housing ears to duct using the two self-tapping screws provided.
3. Knock out an opening in the housing and attach an electrical fitting to route electrical wiring. PG11 & PG16 knockouts are molded into the housing.

WIRING

Use maximum 18 AWG wire for wiring to terminals. Refer to Figure 4 for wiring information.

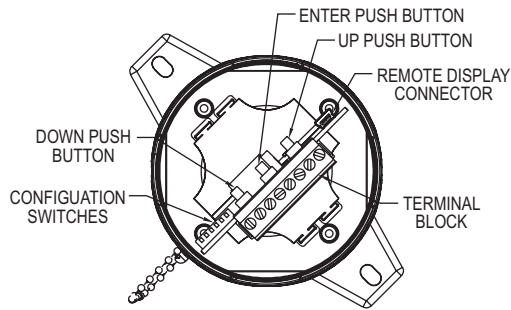


Figure 1: Diagram of circuit board

Selection of Current and Voltage Outputs

Prior to wiring, verify that the current/voltage configuration switches (positions 1 and 2) are set to the desired output type. Refer to Figure 1 to locate the configuration switches. See Figure 2 for diagram of the current/voltage selection switches. For voltage output selection, the output can be 0-10 VDC, 0-5 VDC, 2-10 VDC or 1-5 VDC. See Figure 3 for the type of voltage output selection switches (positions 3 & 4).

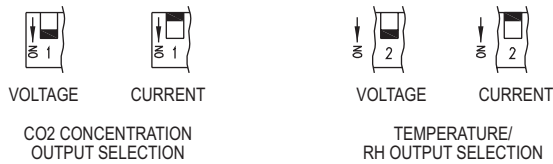


Figure 2: Current/voltage output Selection jumper (PJ1 And PJ2)

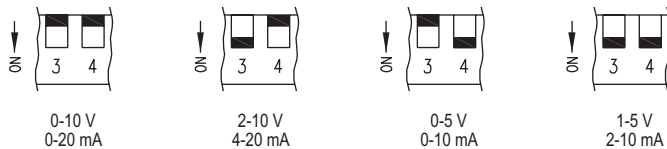


Figure 3: Output range selection jumper

Current / Voltage Outputs

The transmitter may be wired for current or voltage output for both carbon dioxide and temperature. The transmitter can be powered with either 16-35 VDC or 19-28 VAC. Wire the transmitter according to Figure 4.

NOTICE Optional relay can be used as either a dry contact or low voltage switched circuit up to 2 A at 30 VDC.

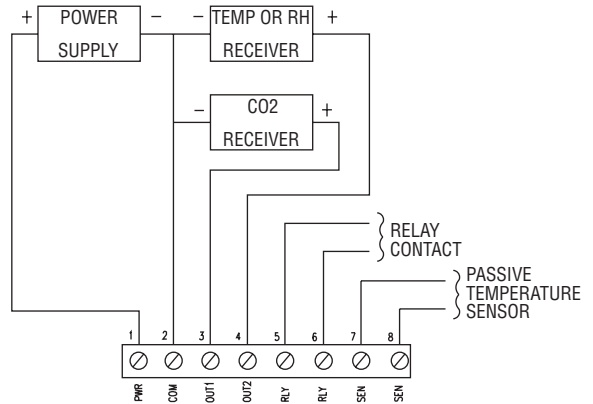


Figure 4: Active output wiring diagram

Thermistor and RTD Outputs

Thermistor and RTD passive outputs are located on terminals 7 and 8 and do not require any power. Passive temperature outputs are not polarity sensitive.

Remote Display

Remote display Model A-449 can be used to display the relative humidity, temperature, and carbon dioxide. The mini USB plug of the remote display plugs into the receptor on the side of the housing. After a short warm up time, the display will begin to show the current temperature and carbon dioxide measurements unless configured by the user to show only temperature or only carbon dioxide.

ACCESSING MENU PARAMETERS

- Step 1: To enter the menu structure, press "Up" and "Down" simultaneously for 5 seconds (display will show RON parameter).
- Step 2: Press "Up" or "Down" to cycle between menu items.
- Step 3: Press "Enter" to edit the value for the displayed menu item (SET will appear on display).
- Step 4: Press "Up" or "Down" to adjust the value of the menu item.
- Step 5: Press "Enter" to save the changes (SET will disappear).
- Step 6: Repeat Steps 2 through 5 for each of the parameters.
- Step 7: To exit the menu at any time, press and hold "Down" and "Up" simultaneously for 5 seconds or wait 10 seconds without pushing any buttons.

Menu Descriptions

RON	Relay on set point Sets the CO ₂ concentration which the optional relay is energized. Low limit: 0 PPM Factory setting: 1000 PPM High limit: 2000/5000 PPM (depending on model)	TOL	Temperature low output range (CDT with active temperature only) Sets the temperature for the lowest output (4 mA or 0 VDC). Low limit: 32.0°F / 0.0°C Factory setting: 32.0°F / 0.0°C High limit: 122.0°F / 50.0°C
ROF	Relay off set point Sets the CO ₂ concentration which the optional relay is de-energized. Setting value lower than RON provides direct action for detecting high concentrations of CO ₂ . Setting value higher than RON provides indirect action for detecting low concentrations of CO ₂ . "Up" or "Down" on the LCD display will be lit to indicate when the relay is energized. Low limit: 0 PPM Factory setting: 950 PPM High limit: 2000/5000 PPM (depending on model)	TOH	Temperature high output range (CDT with active temperature only) Sets the temperature for the highest output (20 mA, 5 VDC or 10 VDC). When TOH is set above TOL, the transmitter is direct acting and the output will increase with an increase in temperature. When TOH is below TOL, the transmitter is reverse acting and the output will increase with a decrease in temperature. Low limit: 32.0°F / 0.0°C Factory setting: 122.0°F / 50.0°C High limit: 122.0°F / 50.0°C
DSP	Display configuration Determines the LCD display configuration during normal operation. The LCD display can indicate the CO ₂ concentration, temperature, relative humidity (CDTR only) and CO ₂ concentration combined with temperature or relative humidity (CDTR only). CH CO ₂ concentration and relative humidity (CDTR only) CT CO ₂ concentration and temperature C CO ₂ concentration only T Temperature only H Relative humidity only (CDTR only)	HOL	Humidity low output range (CDTR only) Sets the temperature for the lowest output (4 mA or 0 VDC). Low limit: 0.0% Factory setting: 0.0% High limit: 100.0%
UNI	Units selection Temperature and barometric pressure measurements can be displayed in US engineering units or SI engineering units. The factory default is to display US engineering units. US units °F for temperature and in Hg for barometric pressure SI units °C for temperature and hPa for barometric pressure	HOH	Humidity high output range (CDTR only) Sets the temperature for the highest output (20 mA, 5 VDC or 10 VDC). When HOH is set above HOL, the transmitter is direct acting and the output will increase with an increase in temperature. When HOH is below HOL, the transmitter is reverse acting and the output will increase with a decrease in temperature. Low limit: 0.0% Factory setting: 100.0% High limit: 100.0%
COL	CO ₂ low output range Sets the CO ₂ concentration for the lowest output (4 mA or 0 VDC). Low limit: 0 PPM Factory setting: 0 PPM High limit: 2000/5000 PPM (depending on model)	BAR	Barometric pressure Sets the typical barometric pressure for the location where the transmitter is mounted. The factory setting is for standard pressure at sea level. Adjusting the barometric pressure gives a more accurate measurement, especially at higher elevations. Refer to the elevation charts in Figure 6 for typical barometric pressures at a given elevation. Low limit: 20.0 in Hg / 600 hPa Factory setting: 29.9 in Hg / 1013 hPa High limit: 32.0 in Hg / 1100 hPa
COH	CO ₂ high output range Sets the CO ₂ concentration for the highest output (20 mA, 5 VDC or 10 VDC). When COH is set above COL, the transmitter is direct acting and the output will increase with an increase in CO ₂ level. When COH is below COL, the transmitter is reverse acting and the output will increase with a decrease in CO ₂ level. Low limit: 0 PPM Factory setting: 2000/5000 PPM (depending on model) High limit: 2000/5000 PPM (depending on model)	CAL	Calibration Calibrates the carbon dioxide sensor to a known gas value. Duct mount transmitters are not designed for calibration in the field and should be returned for routine maintenance.

MAINTENANCE/REPAIR

Upon final installation of the Series CDT/CDTR, no routine maintenance is required. The Series CDT/CDTR is not field serviceable and should be returned if repair is needed. Field repair should not be attempted and may void warranty.



This symbol indicates waste electrical products should not be disposed of with household waste. Please recycle where facilities exist. Check with your Local Authority or retailer for recycling advice.

WARRANTY/RETURN

Refer to "Terms and Conditions of Sales" in our catalog and on our website. Contact customer service to receive a Return Material Authorization number before shipping the product back for repair. Be sure to include a brief description of the problem plus any additional application notes.

US Customary Units		SI Units	
ft	in Hg	m	hPa
0	29.92	0	1013
400	29.50	100	1002
800	29.10	200	990
1200	28.69	300	979
1600	28.29	400	968
2000	27.90	500	957
2400	27.51	600	946
2800	27.13	700	935
3200	26.76	800	924
3600	26.39	900	914
4000	26.02	1000	904
4400	25.66	1100	893
4800	25.30	1200	883
5200	24.95	1300	873
5600	24.60	1400	863
6000	24.26	1500	853
6400	23.93	1600	844
6800	23.60	1700	834
7200	23.27	1800	824
7600	22.94	1900	815
8000	22.63	2000	806
8400	22.31	2100	797
8800	22.00	2200	787
9200	21.70	2300	779
9600	21.40	2400	770
10000	21.40	2500	761

Figure 5: Elevation chart

RESISTANCE VS TEMPERATURE TABLE

Temperature		Resistance Curves (in Ohms)					
°C	°F	A	B	C	D	E	F
-55	-67.0	607800.00	963849.00	289154.70	78.32	783.2	2394000.00
-50	-58.0	441200.00	670166.00	201049.80	80.31	803.1	1646200.00
-45	-49.0	323600.00	471985.00	141595.50	82.29	822.9	1145800.00
-40	-40.0	239700.00	336479.00	100943.70	84.27	842.7	806800.00
-35	-31.0	179200.00	242681.00	72804.30	86.25	862.5	574400.00
-30	-22.0	135200.00	176974.00	53092.20	88.22	882.2	413400.00
-25	-13.0	102900.00	130421.00	39126.30	90.19	901.9	300400.00
-20	-4.0	78910.00	97081.00	29124.30	92.16	921.6	220600.00
-15	5.0	61020.00	72957.00	21887.10	94.12	941.2	163500.00
-10	14.0	47540.00	55329.00	16598.70	96.09	960.9	122280.00
-5	23.0	37310.00	42327.00	12698.10	98.04	980.4	92240.00
0	32.0	29490.00	32650.00	9795.00	100.00	1000.0	70160.00
5	41.0	23460.00	25392.00	7617.60	101.95	1019.5	53780.00
10	50.0	18780.00	19901.00	5970.30	103.90	1039.0	41560.00
15	59.0	15130.00	15712.00	4713.60	105.85	1058.5	32340.00
20	68.0	12260.00	12493.00	3747.90	107.79	1077.9	25360.00
25	77.0	10000.00	10000.00	3000.00	109.74	1097.4	20000.00
30	86.0	8194.00	8057.00	2417.10	111.67	1116.7	15892.00
35	95.0	6752.00	6531.00	1959.30	113.61	1136.1	12704.00
40	104.0	5592.00	5326.00	1597.80	115.54	1155.4	10216.00
45	113.0	4655.00	4368.00	1310.40	117.47	1174.7	8264.00
50	122.0	3893.00	3602.00	1080.60	119.40	1194.0	6722.00
55	131.0	3271.00	2986.00	895.80	121.32	1213.2	5498.00
60	140.0	2760.00	2488.00	746.40	123.24	1232.4	4520.00
65	149.0	2339.00	2083.00	624.90	125.16	1251.6	3734.00
70	158.0	1990.00	1752.00	525.60	127.08	1270.8	3100.00
75	167.0	1700.00	1480.00	444.00	128.99	1289.9	2586.00
80	176.0	1458.00	1255.00	376.50	130.90	1309.0	2166.00
85	185.0	1255.00	1070.00	321.00	132.80	1328.0	1822.60
90	194.0	1084.00	915.50	274.65	134.71	1347.1	1540.00
95	203.0	939.30	786.60	235.98	136.61	1366.1	1306.40
100	212.0	816.80	678.60	203.58	138.51	1385.1	1112.60
105	221.0	712.60	587.60	176.28	140.40	1404.0	951.00
110	230.0	623.60	510.60	153.18	142.29	1422.9	815.80
115	239.0	547.30	445.30	133.59	144.18	1441.8	702.20
120	248.0	481.80	389.60	116.88	146.07	1460.7	606.40
125	257.0	425.30	341.90	102.57	147.95	1479.5	525.60
130	266.0	376.40	301.00	90.30	149.83	1498.3	N/A
135	275.0	334.00	265.80	79.74	151.71	1517.1	N/A
140	284.0	297.20	235.30	70.59	153.58	1535.8	N/A
145	293.0	265.10	208.90	62.67	155.46	1554.6	N/A
150	302.0	237.00	186.10	55.83	157.33	1573.3	N/A

Figure 6: Resistance vs temperature